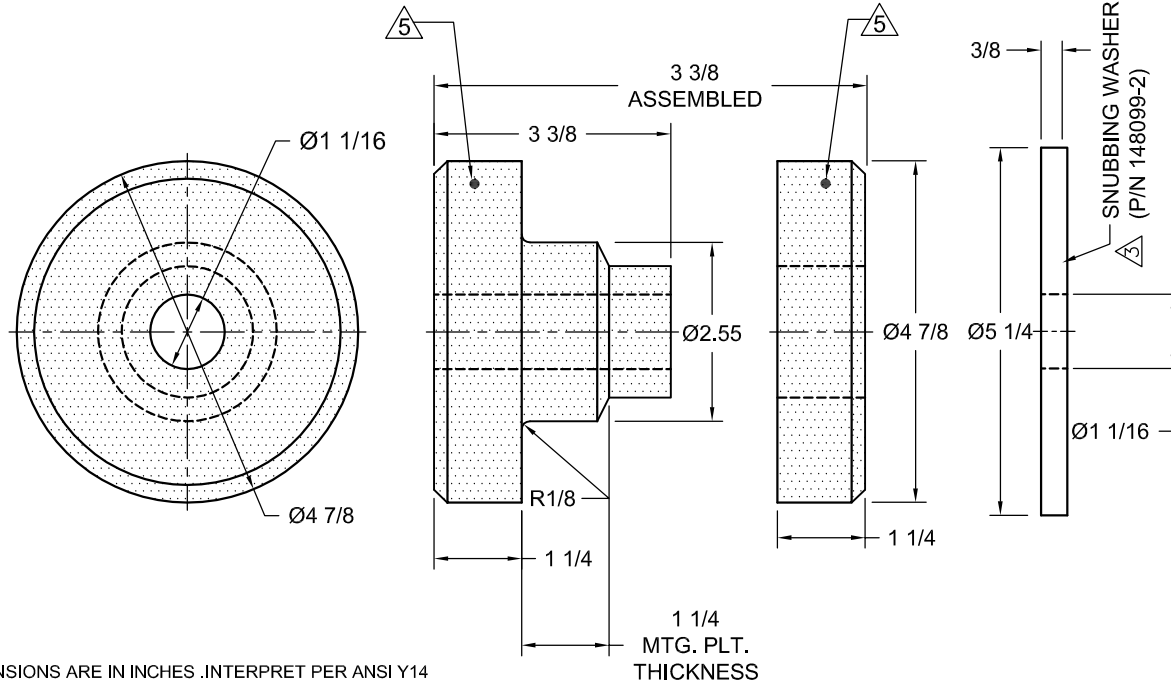
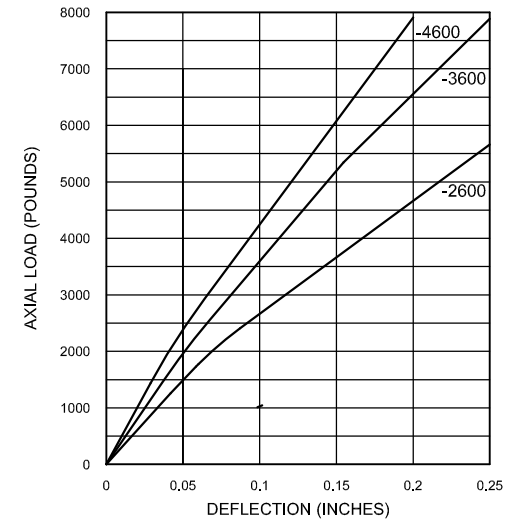


REV.	DESCRIPTION	DATE	BY

MODEL RB5 ELASTOMERIC RING & BUSHING ASSY.						
PART NUMBER	MODEL NO.	RATED LOAD (LBS)	RADIAL STATIC LOAD MAX LBS.	DUROMETER ± 5	COLOR CODE	MATERIAL
770087-1	RB5-2600	2600	1000	50	RED	BR BRG NEO
770087-2	RB5-3600	3600	1450	60	GREEN	BR BRG NEO
770087-3	RB5-4600	4600	1900	70	YELLOW	BR BRG NEO
770087-4	RB5-3600A	3600	1450	60	ORANGE	NITRILE



AXIAL LOAD vs DEFLECTION (1.25 THICK MOUNTING PLATE)



- NOTES:
- ALL DIMENSIONS ARE IN INCHES .INTERPRET PER ANSI Y14
  - ALL DIMENSIONS ARE NOMINAL AND FOR REFERENCE ONLY.
  - ▲ SNUBBING WASHER IS OPTIONAL, ORDER SEPERATE ON PURCHASE ORDER.  
FINISH :YELLOW ZINC PLATED PER ASTM B633 TYPE II, CLASS SC 3 UNLESS OTHERWISE SPECIFIED .
  - COLOR-CODE "MARK "IS AN ACCEPTABLE ADDITION TO MODEL STAMPING .
  - ▲ STAMPING SURFACE LOCATION AS MARKED ON DRAWING.
  - APPROX. WEIGHT:  
RB5 RING & BUSHING ASSY: 3.4 LBS  
RB5 SNUBBING WASHER: 2.2 LBS
  - 1 1/16" HOLE FOR 1" BOLT

OTHER MATERIALS, COMPOUNDS, OR FINISHES WITH EQUAL OR SUPERIOR PROPERTIES MAY BE SUBSTITUTED AS THEY BECOME AVAILABLE.

**CERTIFIED FOR:**

JOB NAME: \_\_\_\_\_  
 CUSTOMER : \_\_\_\_\_  
 CUSTOMER P.O.: \_\_\_\_\_  
 SALES ORDER: \_\_\_\_\_

**MODEL RB5 2600-4600 LBS.  
 RING AND BUSHING  
 ELASTOMERIC ISOLATOR**



**THE VMC GROUP**  
*The Power of Together*  
 Bloomingdale, NJ 07403  
 Houston, TX 77041

SCALE :

NONE

SHEET:

1 OF 1



DRAWING NO.:

REVISION